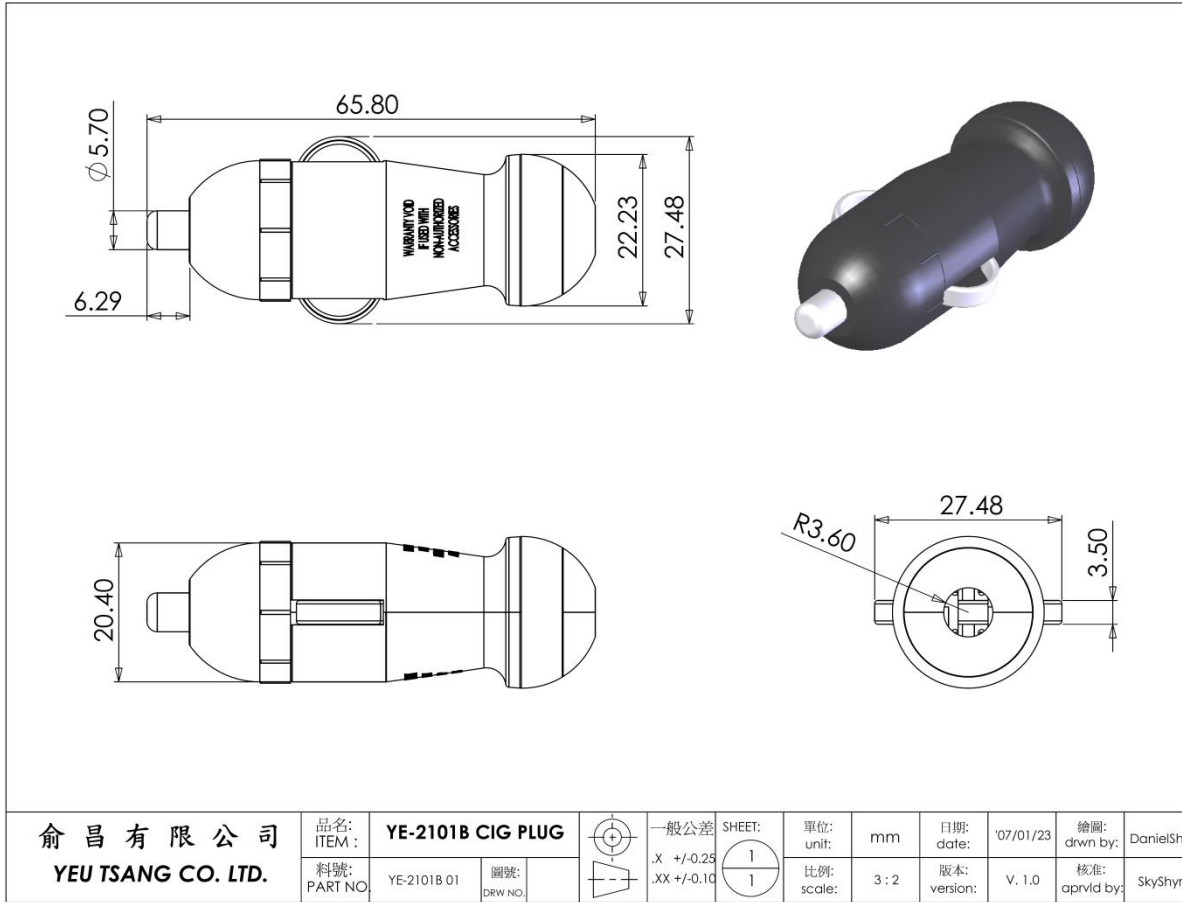


# YE-2101B AUTO CIG CABLE PLUG



- W/ 30mm FUSE

- **MATERIALS :**

- POSITIVE CONTACT:  
BRASS NICKEL PLATED
- SCREW CAP :  
THERMOPLASTIC
- SPRING :  
STEEL NICKEL PLATED
- FUSE CONTACT :  
PHOSPHOR BRONZE
- SHELL COVER :  
THERMOPLASTIC
- NEGATIVE CONTACT:  
STEEL NICKEL PLATED
- RING:  
PA